

# LED Tail Lights - Model 234

## PRODUCT INFORMATION

<b>Description</b>	12/24V DOT LED Heated Flasher, WHITE
<b>Height</b>	20.28 mm / 0.8 in
<b>Width</b>	110.10 mm / 4.33 in
<b>Depth</b>	43.00 mm / 1.69 in
<b>Shape</b>	Round
<b>Outer Lens Material</b>	Polycarbonate
<b>Outer Lens Color</b>	Clear
<b>Housing Material</b>	Polycarbonate
<b>Housing Color</b>	Black
<b>Bezel Color</b>	Clear
<b>Mounting Type</b>	Grommet/Flange Bracket
<b>Minimum Operating Temperature</b>	-40 °C / -40 °F
<b>Maximum Operating Temperature</b>	50 °C / 122 °F
<b>Connector or Wiring</b>	6-Pin Delphi (#12052848)
<b>Mating Connector</b>	Delphi (#12052848)
<b>Product Weight</b>	0.38 lbs / 0.17 kgs
<b>Shipping Weight</b>	10.26 lbs / 4.65 kgs



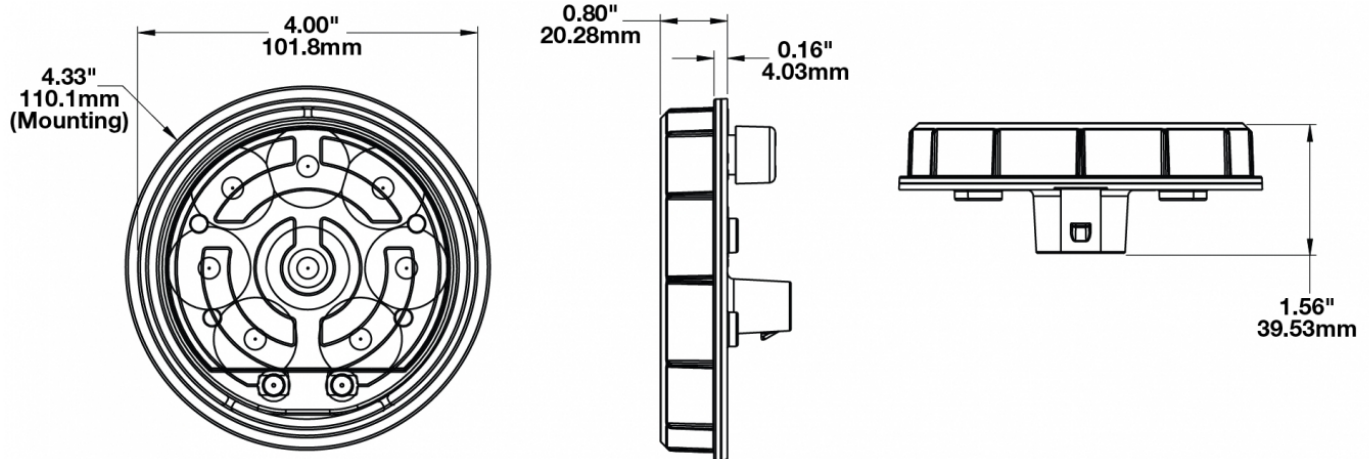
**Print date: 2024-08-11**

© 2024 J.W. Speaker Corporation • Germantown, WI U.S.A.  
 www.jwspeaker.com • speaker@jwspeaker.com • 262.251.6660

**J.W. SPEAKER**   
 Engineered. Lighting. Solutions.

# LED Tail Lights - Model 234

## PRODUCT DIMENSIONS



## ELECTRICAL SPECIFICATIONS

<b>Input Voltage</b>	12-24V DC
<b>Operating Voltage</b>	9-32V DC
<b>Transient Spike Protection</b>	330V Peak @ 1 HZ-100 Pulses
<b>Current Draw</b>	1.33A @ 12V DC (TURN) 0.68A @ 24V DC (TURN) 1.01A @ 12V DC (2 FLASH) 0.60A @ 24V DC (2 FLASH) 1.03A @ 12V DC (4 FLASH) 0.58A @ 24V DC (4 FLASH) 1.03A @ 12V DC (6 FLASH) 0.58A @ 24V DC (6 FLASH)

Print date: 2024-08-11

© 2024 J.W. Speaker Corporation • Germantown, WI U.S.A.  
www.jwspeaker.com • speaker@jwspeaker.com • 262.251.6660

# LED Tail Lights - Model 234

## REGULATORY STANDARDS COMPLIANCE

---



Buy America Standards      Eco Friendly  
Tested to ECE Reg. 10  
(Radiated Emissions only)

## PHOTOMETRIC SPECIFICATIONS

---

<b>Beam Pattern(s)</b>	Warning - Flashing Warning Warning - Strobe
<b>Flash Rate 1</b>	2 Flash
<b>Flash Rate 2</b>	4 Flash
<b>Flash Rate 3</b>	6 Flash

## APPLICATIONS

---



## PRODUCT WARNINGS

---

For California residents:

⚠️ **WARNING:** Cancer and reproductive harm - [www.P65Warnings.ca.gov](http://www.P65Warnings.ca.gov).

⚠️ **AVERTISSEMENT:** Cancer et effet nocif sur la reproduction - [www.P65Warnings.ca.gov](http://www.P65Warnings.ca.gov).

---

Print date: 2024-08-11

© 2024 J.W. Speaker Corporation • Germantown, WI U.S.A.  
[www.jwspeaker.com](http://www.jwspeaker.com) • [speaker@jwspeaker.com](mailto:speaker@jwspeaker.com) • 262.251.6660

# LED Tail Lights - Model 234

## ACCESSORIES



**Part Number**  
**4242731**  
4" Round Rubber  
Mounting Grommet for  
Model 234



**Part Number**  
**5869401**  
4" Round Plastic  
Mounting Flange for  
Model 234



**Part Number**  
**8200441**  
4" Round Stainless  
Steel Trim Ring for  
Model 234



**Part Number**  
**8200451**  
4" Round Chrome  
Plastic Trim Ring for  
Model 234



**Part Number**  
**3270501**  
3-Pin AMP Connector  
Wire Harness  
Assembly

## RELATED PRODUCTS



**Part Number**  
**0346261**  
12-24V DOT LED  
Heated Red Stop, Tail,  
& Turn Light



**Part Number**  
**0346264**  
12-24V DOT LED  
Heated Red Stop, Tail,  
& Turn Light Kit with  
Harness



**Part Number**  
**0346421**  
12-48V DOT LED Non-  
Heated Stop & Tail  
Light



**Part Number**  
**0346471**  
12-24V DOT LED  
Heated White Reverse  
Light



**Part Number**  
**0346474**  
12-24V DOT LED  
Heated White Reverse  
Light Kit with Harness



**Part Number**  
**0347811**  
12-24V DOT LED  
Heated Amber Turn  
Signal



**Part Number**  
**0347814**  
12-24V DOT LED  
Heated Amber Turn  
Signal Kit with Harness



**Part Number**  
**0347861**  
12-24V DOT LED Non-  
Heated Red Stop, Tail,  
& Turn Light

**Print date: 2024-08-11**

© 2024 J.W. Speaker Corporation • Germantown, WI U.S.A.  
www.jwspeaker.com • speaker@jwspeaker.com • 262.251.6660